

TRAVELMATE DELUXE & CRUIZER BASE ASSEMBLY

HANDLE, AXLE, SPRING CLIPS & WHEEL ASSEMBLY

#3 INSERT SPRING CLIPS THROUGH PRE-DRILLED HOLES IN AXLE

#6 SLIDE ON REAR WHEEL UNTIL "CLICK" IS HEARD. PULL ON WHEEL TO CONFIRM IT IS LOCKED IN PLACE

#1 - LAY HANDLE DOWN ON MAIN BODY

Handle "Locking Discs"

#4 INSERT SPRING CLIP THROUGH PRE-DRILLED HOLES IN AXLE

#2 INSERT AXLE THROUGH MAIN BODY AND HANDLE

#5 SLIDE ON REAR WHEEL UNTIL "CLICK IS HEARD. PULL ON WHEEL TO CONFIRM IT IS LOCKED IN PLACE

Travelmate Deluxe in the folded position

Step 1. Before you insert the axle, place handle on the base with the "locking disc" facing down as shown.

Step 2. Line up holes in the bottom of handle with the axle holes in the base of the TMDX/TMDC. Slide axle through opening on the side of the main body (rear side). Make sure axle goes through the holes in the handle and out the other side of the main body.

Step 3 & 4. Insert spring clips in axle.

Step 5 & 6. Slide on rear wheels until "click" is heard and wheel does not slide off of axle. If wheel does slide off, make sure spring lock on Travelmate Deluxe and push button on Travelmate Deluxe Cruiser, is closed on the side of the wheel hub.

WHEELS

Before first use, and periodically thereafter, test wheels by pulling on them. Failure to secure wheels may result in injury to your child.

DO NOT REMOVE SPRING LOCKS FROM WHEELS. THE SPRING LOCKS SECURE THE WHEEL ONTO THE AXLE.

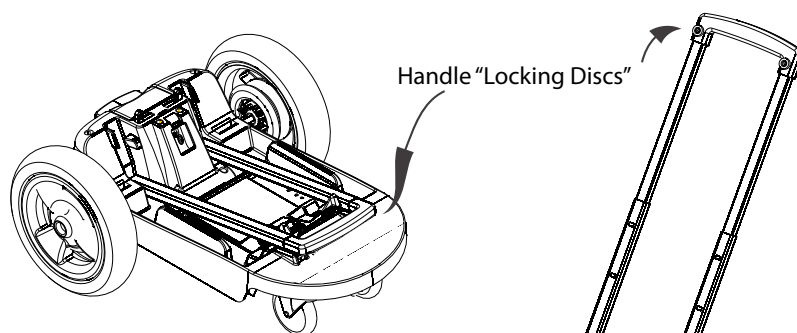
To remove wheels: Push down the spring lock (TMDX) / push button (TMDC) in the center of wheel and pull off wheel.

For further information, please see and read complete Travelmate Deluxe Manual.

Do not hesitate to call with ANY questions: 888.686.2552 or email: info@gogobabyz.com.

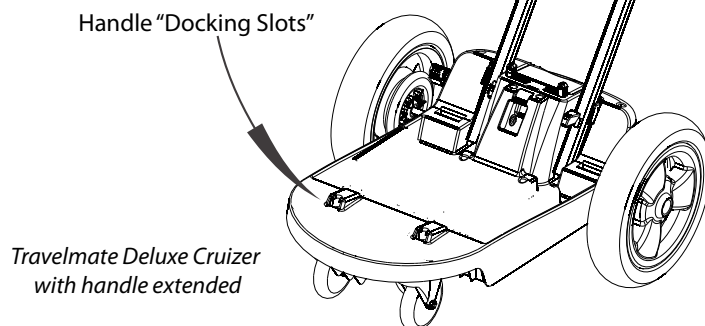
Thank you!

Handle should be in folded position for first step in assembly.



Travelmate Deluxe Cruiser in the folded position

Handle "Docking Slots"



Travelmate Deluxe Cruiser with handle extended